

2-WAY BALL VALVES MANIFOLD MOUNT TYPE



Item Code

KHP - 10

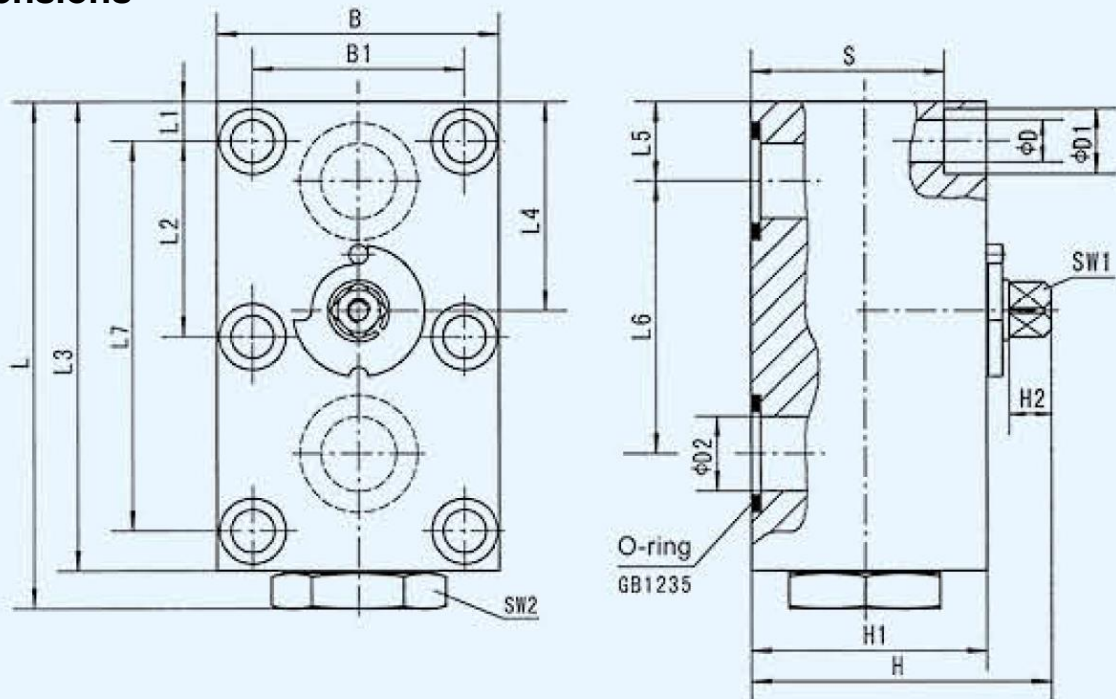
[1]

[2]

[1] Model: KHP-Board type 2 way ball valve

[2] Nominal diameter: 06, 10, 16...mm

Dimensions



Model	DN	PN	L	L1	L2	L3	L4	L5	L6	L7	B
KHP-06	06	500	64	8.5	-	59	25	8.5	35	35	40
KHP-10	10	315	80	8	27.5	71	29.5	10.5	44	55	56
KHP-16	16	315	110	8.5	41.5	100	43.5	17	58	83	62
KHP-20	20	315	127	10	48.5	117	51	20	69	97	70
KHP-25	25	315	145	10	57.5	135	62	24	81	115	80
KHP-32	32	315	177	12	68	165	75	29	96	136	100
KHP-40	40	315	192	28.5	56	180	85.5	28.5	112	112	130
KHP-50	50	315	245	38	68	220	106	38	136	136	149

Model	B1	SW1	SW2	H	H1	H2	D	D1	D2	S	O-ring/GB1235
KHP-06	27	9	22	39	30	6	6.6	11	6	23	12×1.9
KHP-10	40	9	30	54.5	42	8	9	13.5	9.5	33	16×2.4
KHP-16	45	12	36	67.5	50	11	9	13.5	16	41	25×2.4
KHP-20	51	14	41	80	62	12	10.5	16.5	20	51	30×3.1
KHP-25	60	14	50	86	67	12	10.5	16.5	25	56	35×3.1
KHP-32	78	17	65	110	90	14	13	19	32	77	40×3.1
KHP-40	95	17	75	120	100	14	17.5	26	38	82	50×3.1
KHP-50	112	17	75	130	110	14	22	33	48	88	60×3.1

PN=bar